

Kensington®

BlackBelt™

Rugged Case for iPad® 9.7

Coque renforcée pour iPad® 9.7

Robustes Case für iPad® 9.7

Custodia rinforzata per iPad® 9.7

Capa robustecida para iPad® 9.7

Funda resistente para iPad® 9.7

QUICK START GUIDE

GUIDE DE DEMARRAGE RAPIDE

KURZANLEITUNG

SNELSTARTGIDS

GUIDA RAPIDA

GUÍA RÁPIDA

GYORSKALAUZ

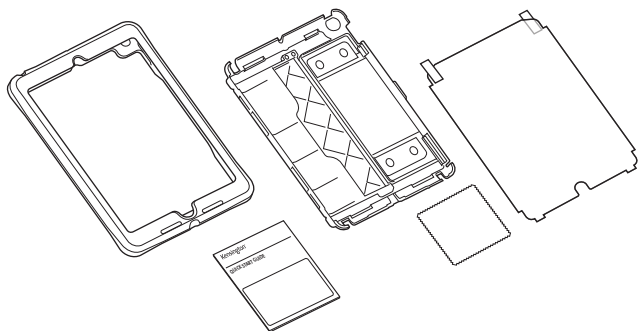
PŘÍRUČKA ZAČÍNÁME

SZYBKI START

KРАТКОЕ РУКОВОДСТВО

ПОЛЬЗОВАТЕЛЯ

MANUAL DE INÍCIO RÁPIDO



Register Now!

Enregistrer maintenant !

Jetzt registrieren!

Nu registreren

Registrar ahora

Registra adesso

Regisztráljon most!

Zaregistrujte se nyní!

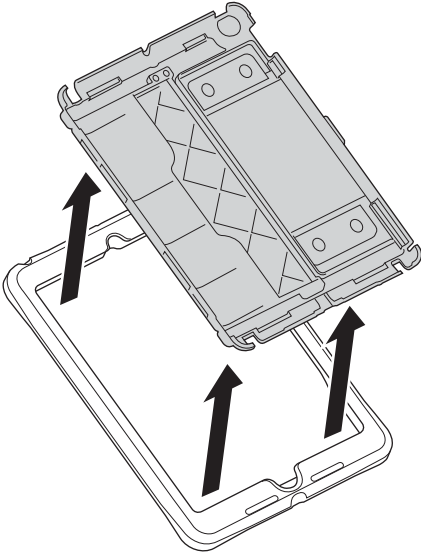
Zarejestruj się!

Зарегистрироваться!

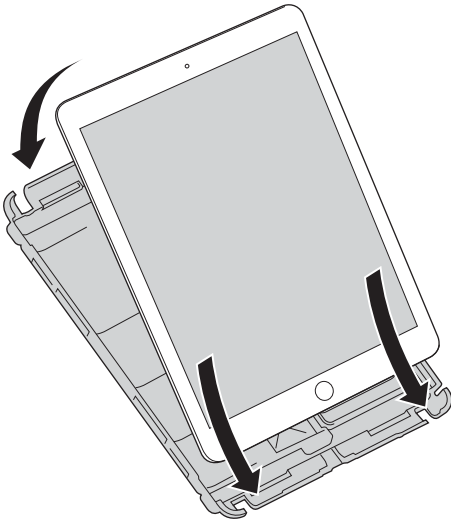
Registe-se agora!

www.kensington.com/register

1

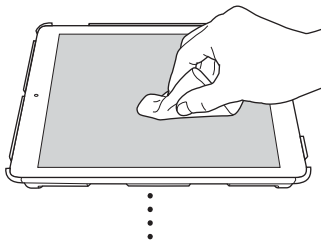


2

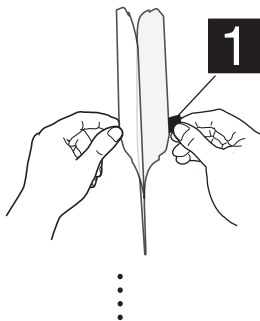


3

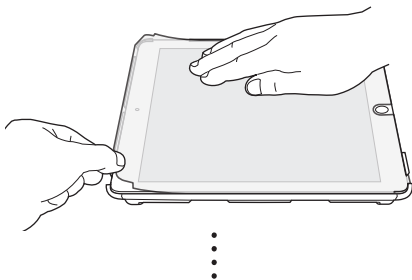
a



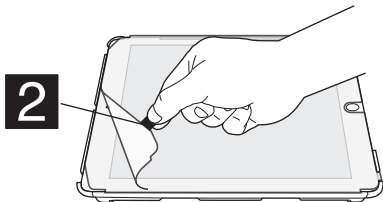
b



c

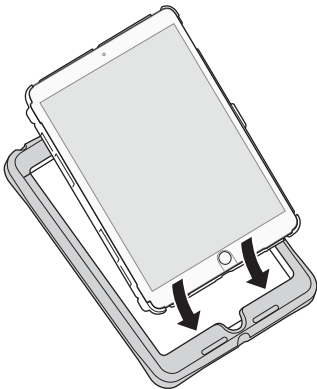


d



4

a



...

b

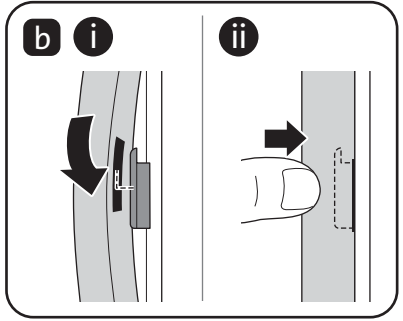
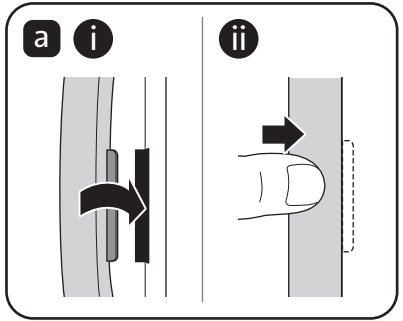
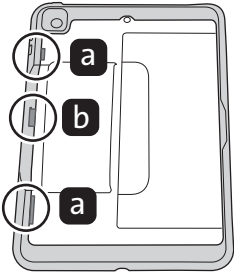


...

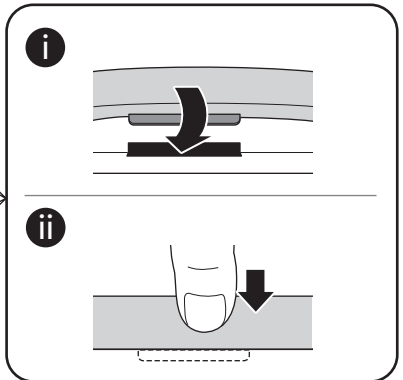
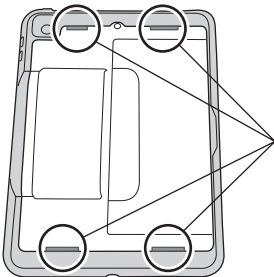
c



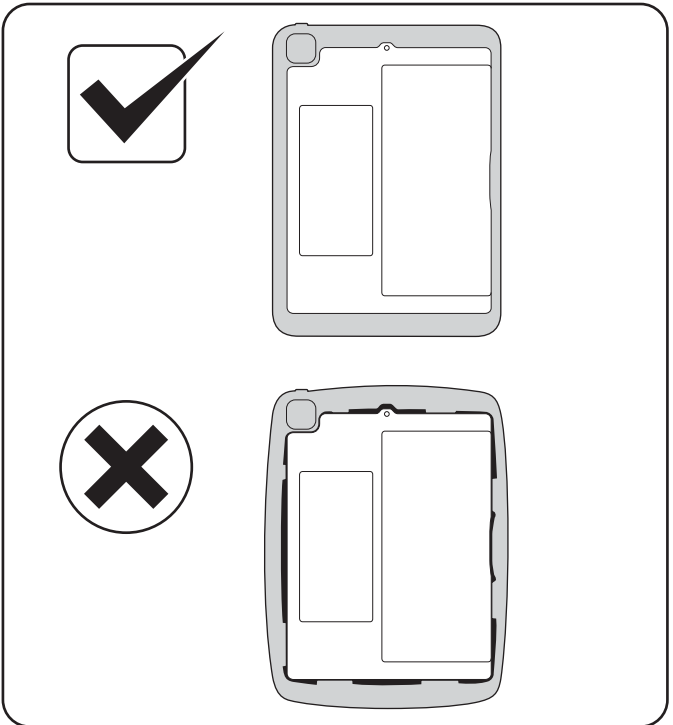
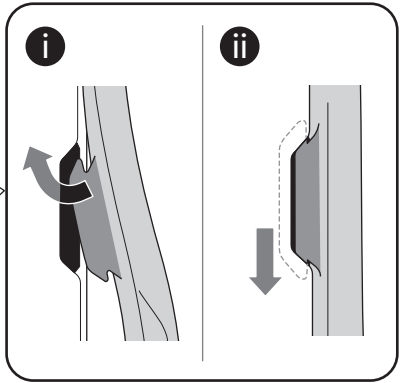
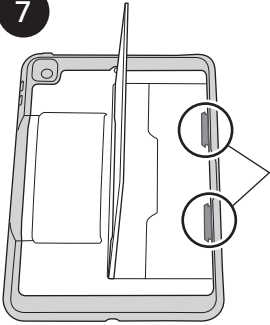
5

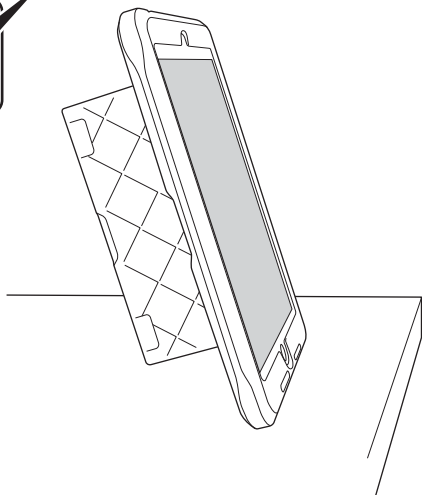
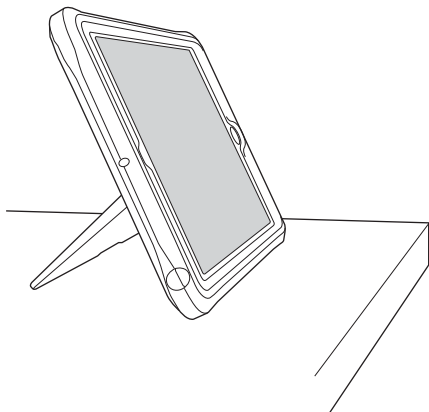


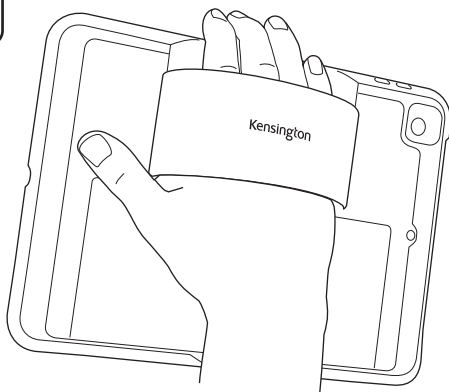
6



7





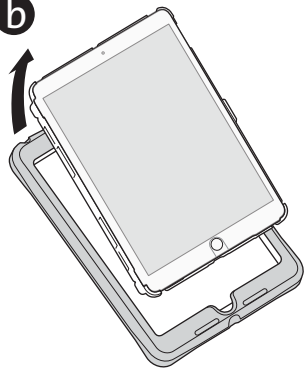




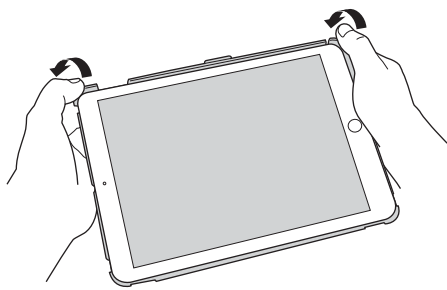
a



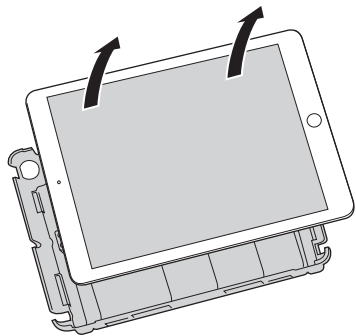
b



c



d



**Technical Support / Assistance technique / Technischer Support /
Technische ondersteuning / Supporto tecnico / Asistencia técnica /
Műszaki támogatás / Technická podpora / Pomoc techniczna /
Техническая поддержка / Assistência técnica**

Australia	1300 881 931	Nederland	010 713 1882
België / Belgique	02 401 2395	New Zealand	0800 539 26273
Brasil	14 3235-4003	Norway	80017520
Canada	1 800 268 3447	Österreich	0800 677 873
Denmark	80 250966	Polska	22 570 18 00
Deutschland	0692 222 3654	Portugal	800855802
España	911 146 735	Russia	007 495 933 5163
Finland	0800 9 15697	Schweiz / Suisse	044 580 6667
France	01 7671 0404	Sweden	08 5033 6577
Hungary	06 20 9430 612	United Kingdom	0203 364 5390
Ireland	01 431 1395	United States	1 800 535 4242
Italia	02 3604 7030	International Toll	+31 53 484 9135
México	55 15 00 57 00		

Kensington and the ACCO name and design are registered trademarks of ACCO Brands. BlackBelt is a trade mark of ACCO Brands. iPad is a trademark of Apple Inc., registered in the U.S. and other countries. All other registered and unregistered trademarks are the property of their respective owners.

© 2017 Kensington Computer Products Group, a division of ACCO Brands USA LLC. Any unauthorized copying, duplicating, or other reproduction of the contents hereof is prohibited without written consent from Kensington Computer Products Group. All rights reserved. 07/17



Kensington Computer Products Group
A Division of ACCO Brands
1500 Fashion Island Blvd, 3rd Floor
San Mateo, CA 94404

ACCO Brands Europe
A Division of ACCO Brands Europe
Oxford House, Oxford Road
Aylesbury, Buckinghamshire,
HP21 8SZ
United Kingdom

ACCO Brands Canada Inc
7381 Bramalea Rd
Mississauga,
ON L5S 1C4
Canada

**ACCO Brands Australia -
Kensington**
2 Coronation Avenue Kings Park
NSW 2148 Australia

**Importado por ACCO Mexicana
S.A. de C.V.**
Circuito de la Industria Norte # 6,
Corredor Industrial Toluca Lerma,
Lerma México Cp. 52004
R.F.C. AME640229-1W3

Acco Brands Chile S.A.,
Avda. San Josemaría
Escrivá de Balaguer N°5773
Vitacura, C.P. 7640970
Santiago, Chile

Importado e Distribuido por:
TILIBRA PRODUTOS DE PAPELARIA LTDA.
CNPJ: 44.990.901/0001-43
Rua Aymorés, 6-9 – Bauru/SP – Brasil
CEP 17013-900

Designed in California, U.S.A. by Kensington
Made in China

Patents Pending

www.kensington.com

K97703 / K97704

901-9344-01