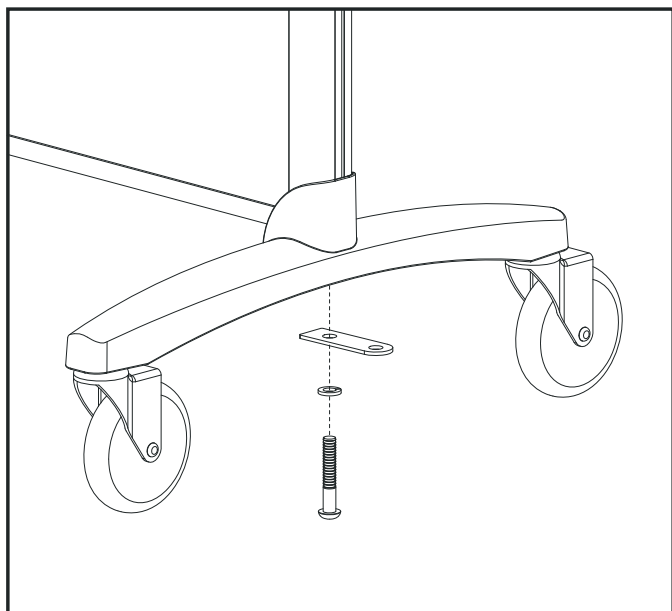
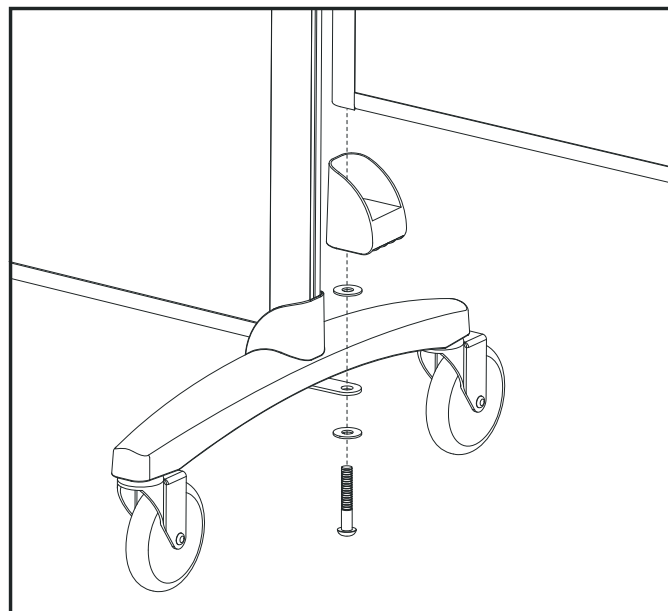


# 1 ATTACH BOTTOM PLATE



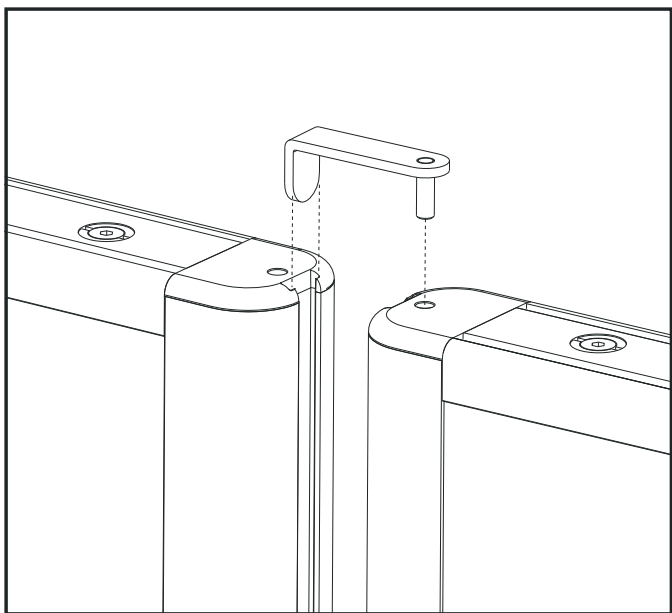
**1**  
Remove screw and lock washer from foot of first room divider. Re-align center hole in room divider foot with threaded hole in upright. Insert 3/8" x 2-1/4" Allen screw through lock washer and hole in "square" end of bottom plate and into upright. Tighten firmly. **Note: tabs on underside of foot align the bottom plate.**

# 2 ATTACH FOOT HUB / CONNECT ROOM DIVIDERS



**2**  
Remove screw, lock washer and foot from second room divider. Align center hole in foot hub with threaded hole in upright. Insert 3/8" x 2-1/4" Allen screw through: one Teflon washer, the hole in "round" end of bottom plate, the second Teflon washer, and through the foot hub into upright. Tighten firmly.

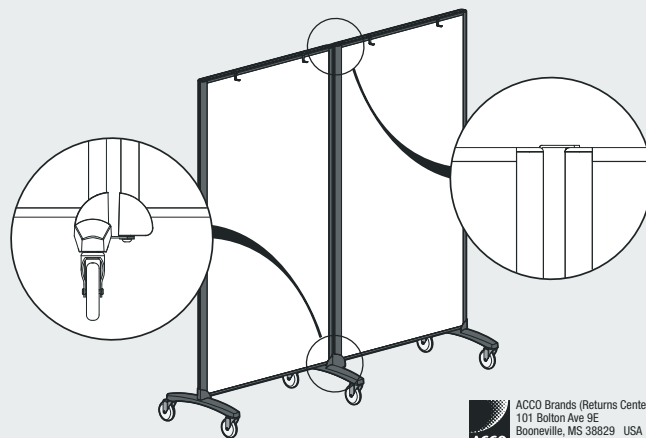
# 3 ATTACH TOP CONNECTOR



**3**  
Insert "L" section of top connector into side channel of first room divider and post of top connector into hole in top cap of second room divider. **Note: post of top connector must be in room divider with foot hub for room divider to rotate properly.** When connected, room dividers will rotate to form up to 90° angle in either direction (180° total range of motion).



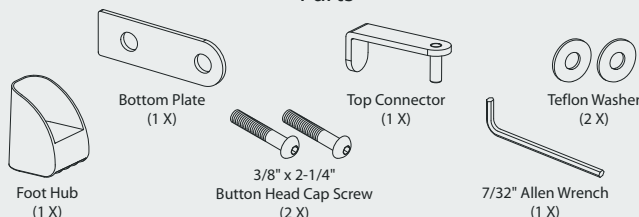
## Motion™ Room Divider Connector Kit Installation Instructions



8403810\_REV.1

ACCO Brands (Returns Center)  
101 Bolton Ave 9E  
Booneville, MS 38829 USA  
Tel: 901-541-0034  
www.acco.com  
www.quartet.com

### Parts



Quartet is a registered trademark of General Binding Corporation. ACCO name and design is a registered trademark of ACCO Brands. © 2013 ACCO Brands Corporation. All Rights Reserved.

Quartet est une marque déposée de General Binding Corporation. Le nom ACCO et son dessin est une marque déposée d'ACCO Brands. © 2013 ACCO Brands Corporation. Tous droits réservés.

Quartet es una marca registrada de General Binding Corporation. El nombre y el diseño de ACCO son marca registrada de ACCO Brands. © 2013 ACCO Brands Corporation. Todos los derechos reservados.