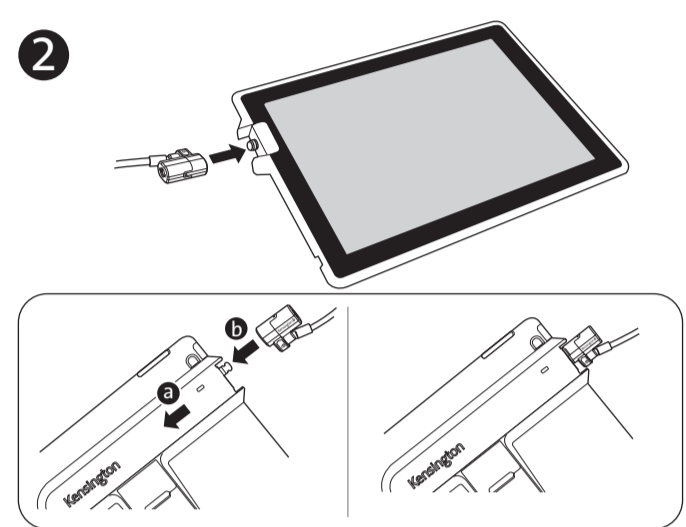
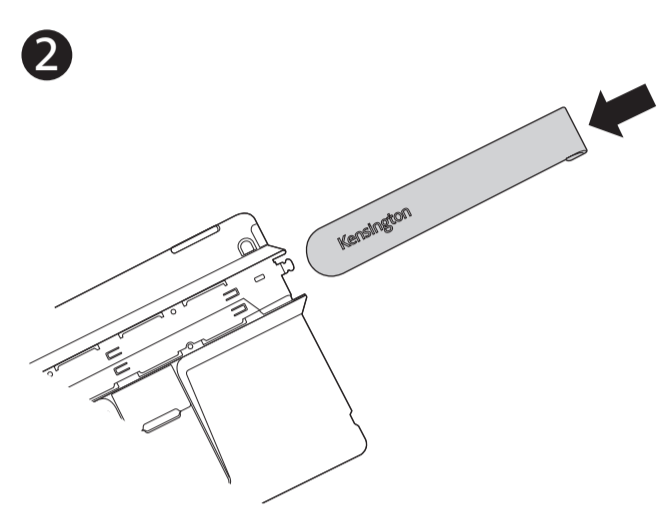
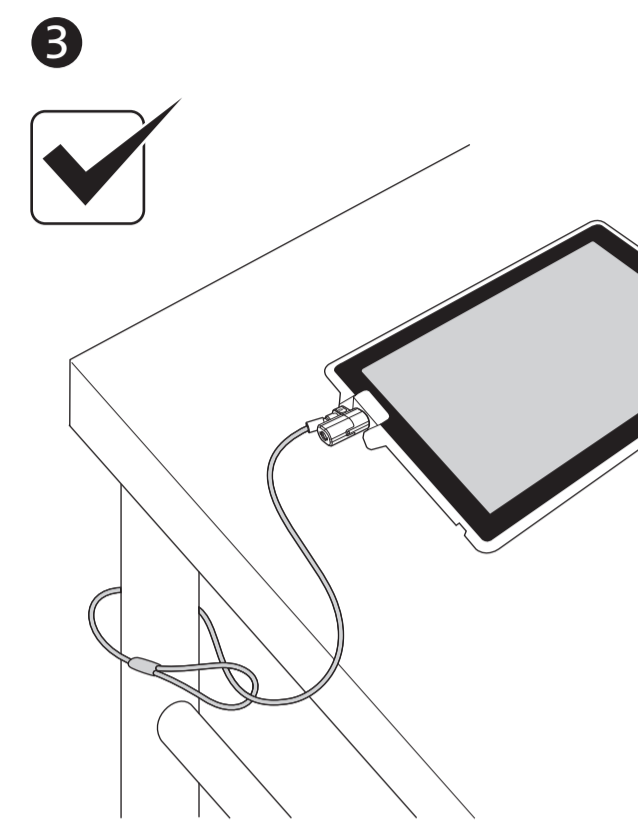
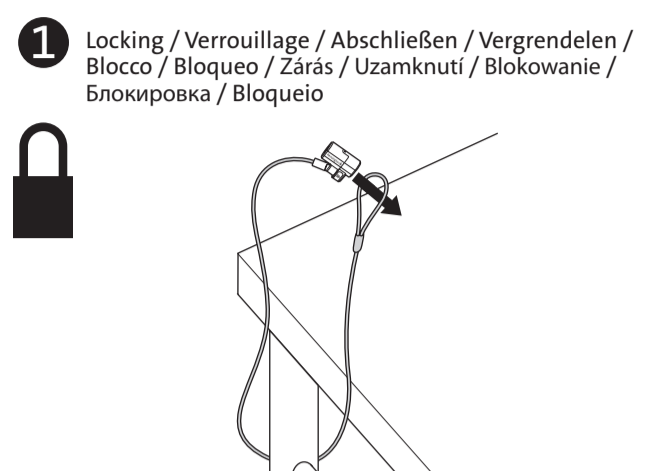
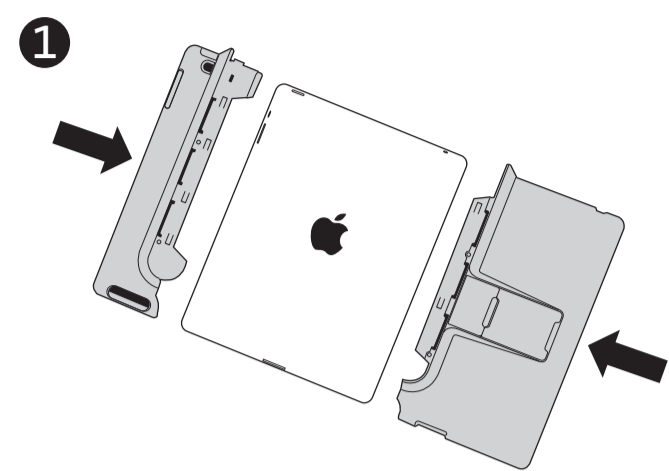


! IMPORTANT! REGISTER YOUR COMBINATION! / IMPORTANT! ENREGISTREZ VOTRE COMBINAISON! WICHTIG! REGISTRIEREN SIE IHRE KOMBINATION! BELANGRIJK! REGISTRER UW COMBINATIE! IMPORTANTE! REGISTRARE LA COMBINAZIONE! IMPORTANTE: ¡REGISTRE SU COMBINACIÓN! FONTOS! REGISZTRÁLJA A KOMBINÁCIÓJÁT! DŮLEŽITĚ! ZAREGISTRUJTE SI SVOU KOMBINACI! UWAGA! ZMIEN SWÓJ SZYFR! ВАЖНО! КОДОВАЯ КОМБИНАЦИЯ ДОЛЖНА БЫТЬ ЗАРЕГИСТРИРОВАНА! IMPORTANTE! REGISTE A SUA COMBINAÇÃO!

L12345

register.kensington.com

#



Kensington and the ACCO name and design are registered trademarks of ACCO Brands. The Kensington Promise is a service mark of ACCO Brands. All other registered and unregistered trademarks are the property of their respective owners. Covered by one or more of US Pat. No's 6,081,974; 6,317,936; 6,360,405.

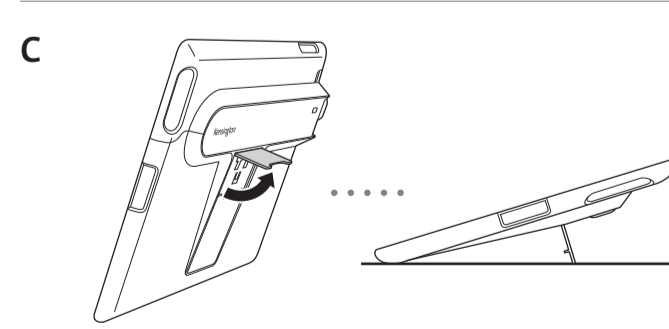
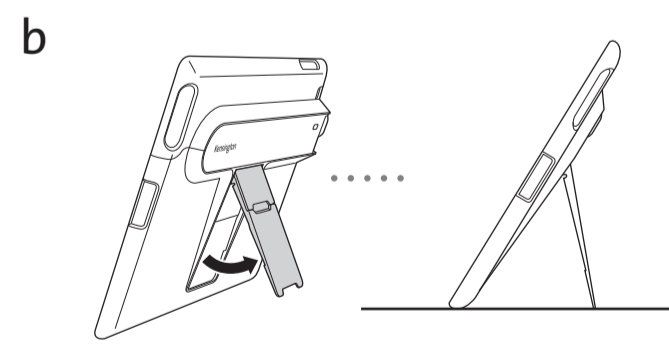
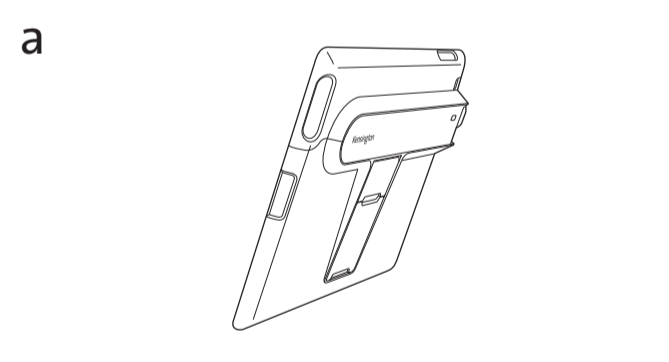
©2011 Kensington Computer Products Group, a division of ACCO Brands. Any unauthorized copying, duplicating, or other reproduction of the contents hereof is prohibited without written consent from Kensington Computer Products Group. All rights reserved. 08/11

LIMITED LIFETIME WARRANTY
 For technical support visit www.kensington.com

The Kensington Promise™
 Complete warranty terms are available at: www.warranty.kensington.com

Kensington Computer Products Group A Division of ACCO Brands 333 Twin Dolphin Drive, 6th Floor Redwood Shores, CA 94065	ACCO Brands Europe Oxford House Oxford Road Aylesbury Bucks, HP21 85Z United Kingdom	ACCO Brands Canada 5 Precidio Court Brampton Ontario, L6S 6B7 Canada	ACCO Australia Level 2, 8 Lord St Botany NSW 2019 PO Box 311 Rosebery NSW 1445 Australia
--	--	---	--

901-2527-00
KL



Kensington®

SecureBack™ Security Case with 2-way Stand & ClickSafe® Lock

INSTRUCTION GUIDE
 GUIDE D'INSTRUCTIONS
 BEDIENUNGSANLEITUNG
 HANDLEIDING
 MANUALE DI ISTRUZIONI
 MANUAL DE INSTRUCCIONES

HASZNÁLATI ÚTMUTATÓ
 PŘÍRUČKA S POKYNY
 INSTRUKCJA OBSŁUGI
 РУКОВОДСТВО ПОЛЬЗОВАТЕЛЯ
 MANUAL DE INSTRUÇÕES

Register Now!
 Enregistrez maintenant!
 Jetzt registrieren!
 Nu registreren
 Registrar ahora
 Registra adesso

Regisztráljon most!
 Zaregistrujte se nyní!
 Zarejestruj się!
 Зарегістроватися!
 Registe-se agora!

register.kensington.com