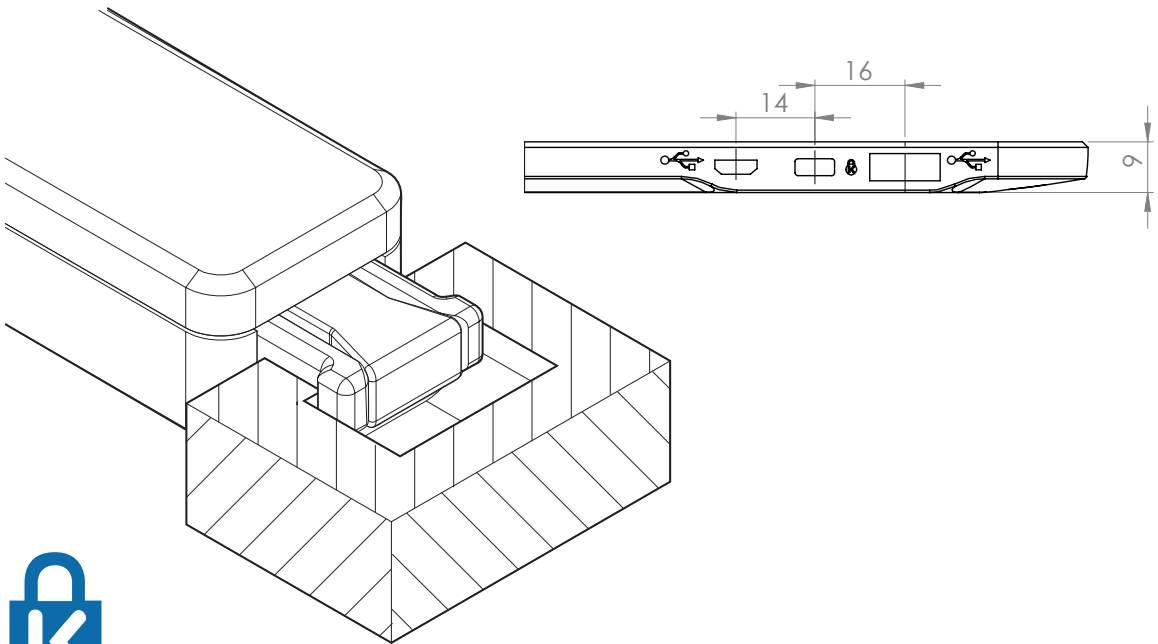


# Kensington®

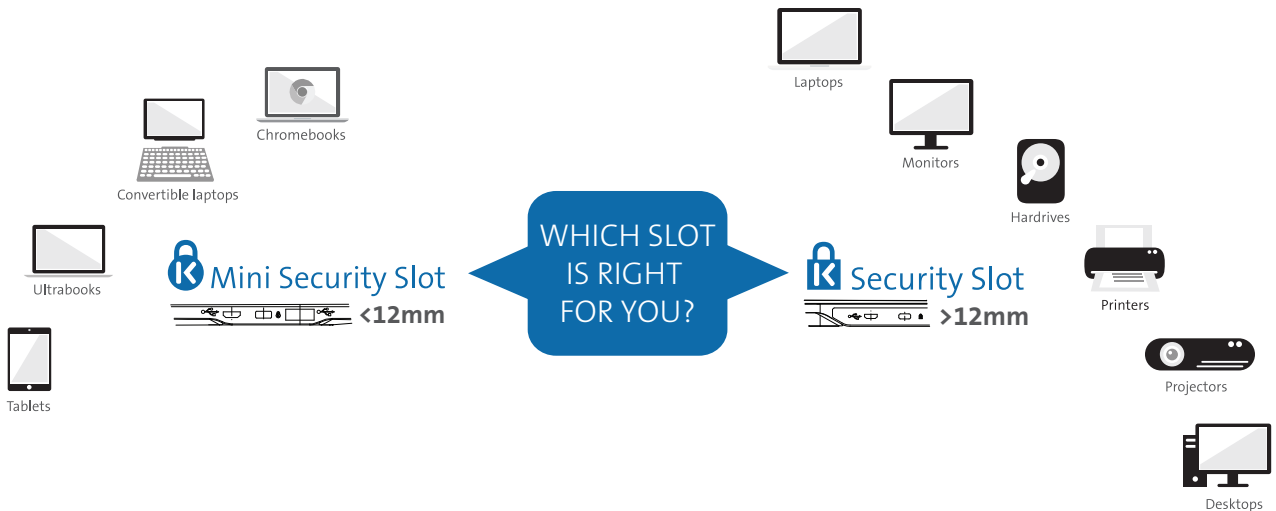
## SECURITY SLOT DEVELOPMENT GUIDE



smart. safe. simple.™

# TODAY'S SECURITY SOLUTION FOR TOMORROW'S DEVICES

Kensington has developed a new, smaller security slot to go along with our traditional slot. Designed for mobile devices less than 12mm thick, the new Kensington Mini Security Slot is the right choice. For devices 12mm or greater, the traditional Kensington Security Slot is an excellent option.



Visit [www.Kensington.com/securityslot](http://www.Kensington.com/securityslot)

# SLOT IMPLEMENTATION SUGGESTIONS

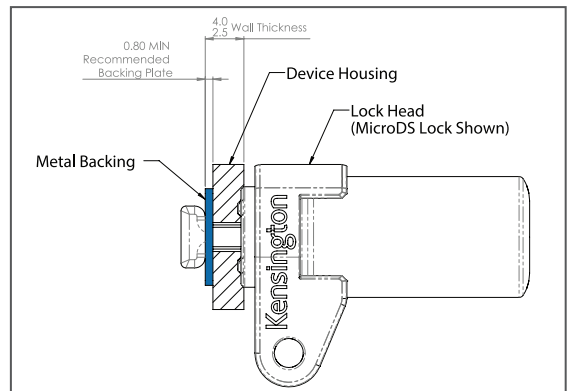
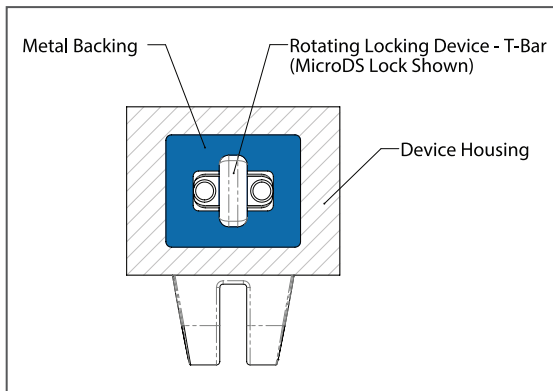
## HOW STRONG SHOULD I MAKE THE SECURITY SLOT?

The slot should be designed to avoid the device itself from becoming a possible failure point (within reasonable limits). Kensington recommends using a material and wall thickness strong enough to withstand 200 lbs per square inch.

## CHOOSING THE RIGHT DEVICE SHELL MATERIAL

**Aluminum** or a stronger metal is optimal as it provides ample strength for maximum security. **Plastic** can suffice but might require metal backing in order to provide enough strength.

## EXAMPLE OF THE METAL BACKING

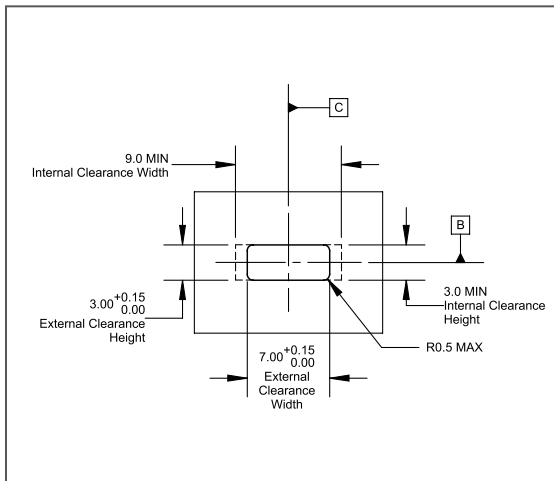




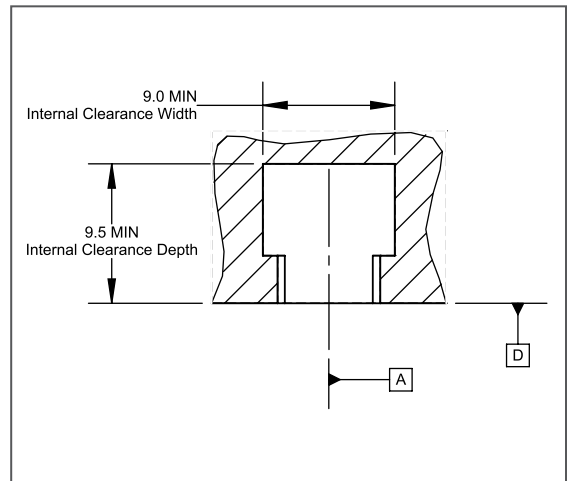
# KENSINGTON MINI SECURITY SLOT

Optimized for Ultra-Thin Devices

With the proliferation of ultra-slim devices. Incorporating a professional-grade slot in devices thinner than 12mm from the trusted category leader allows designers to add a security feature along with Kensington's new and innovative Cleat™ Locking Technology (the thinnest locking technology available).



Front View



Top View

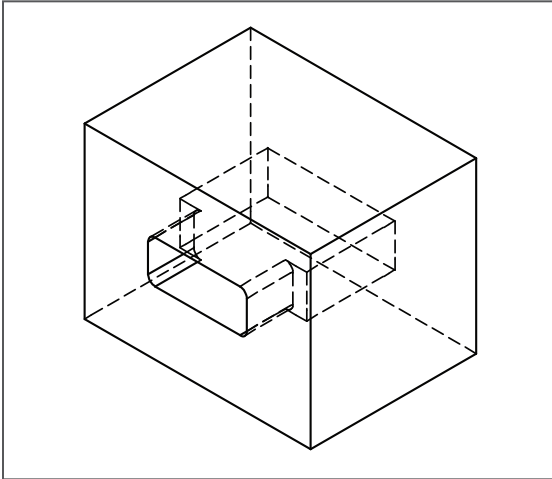
\* Notes: Lock Clearance Specifications — make sure there is enough space so no open electrical components adjacent to the slot could make contact with the Cleat.  
Revision: R3.1

Visit [www.Kensington.com/securityslot](http://www.Kensington.com/securityslot)

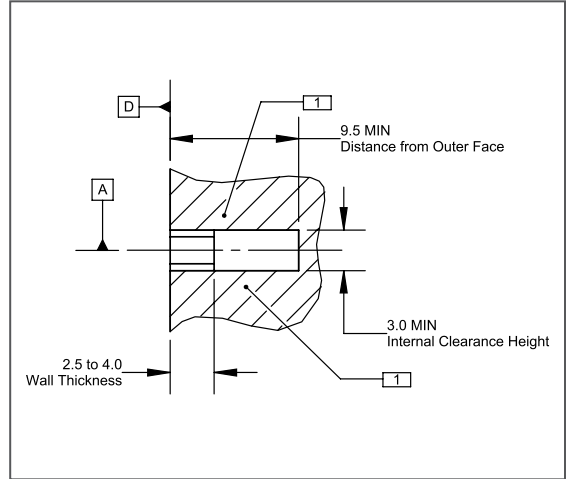
Internal Space Requirements:

- Horizontal: 9.0 mm minimum
- Vertical: 3.0 mm minimum
- Depth: 9.5 mm minimum

## DESIGNED FOR LOCKS UTILIZING CLEAT LOCKING TECHNOLOGY



Isometric View



Side View

1. To protect the internals of the device (i.e.: glass screen) from the accidental insertion of a rotating lock such as the Kensington T-Bar lock, Kensington recommends implementing a rigid insert or a rigid feature to prevent rotation of a T-Bar lock that may cause damage.

## INTRODUCING MINISAVER™ — SPECIFICALLY DESIGNED FOR THE KENSINGTON MINI SECURITY SLOT



MiniSaver™ Mobile Lock

Master access options are also available.

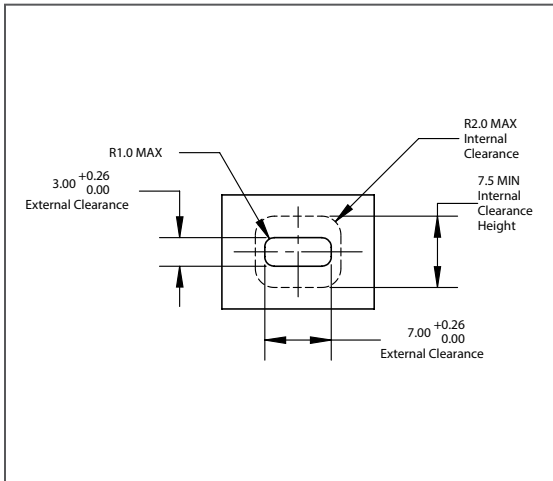




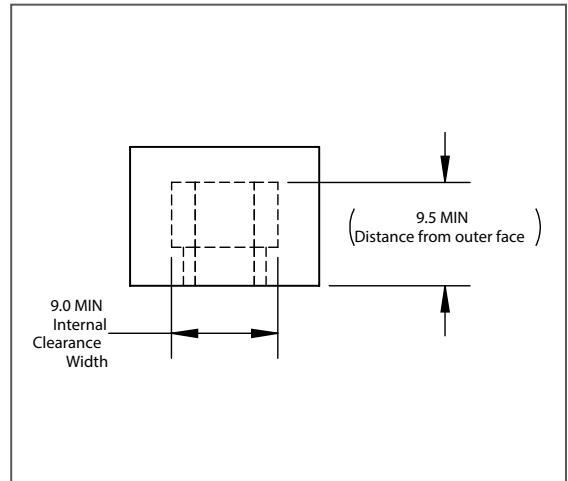
# KENSINGTON SECURITY SLOT

Optimized for Conventional Devices

The trusted industry standard for more than 20 years, the slot conveniently fits into devices with more than 12mm of space and accepts both T-Bar™ Locking Technology and Cleat Locking Technology.



Front View



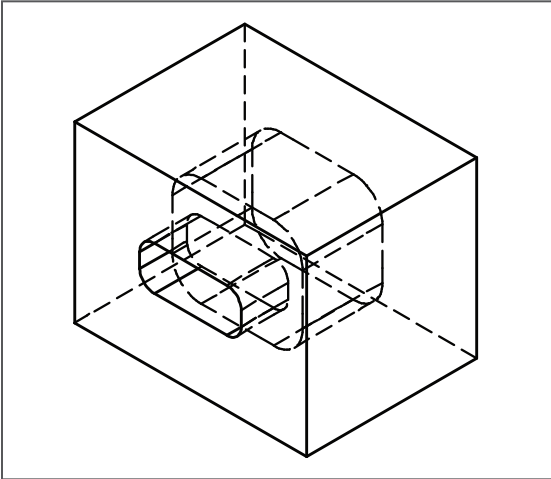
Top View

Revision: R3.1

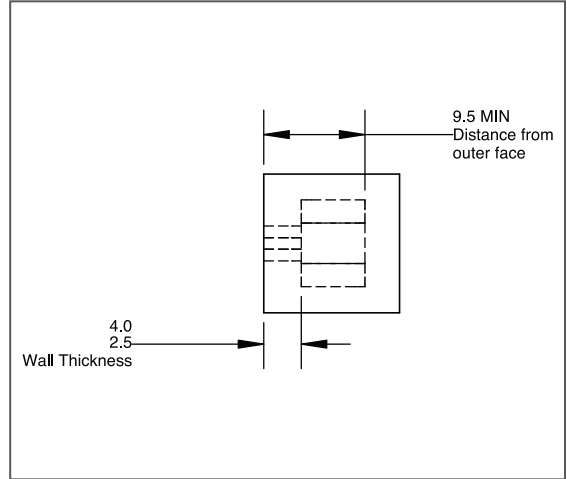
Visit [www.Kensington.com/securityslot](http://www.Kensington.com/securityslot)

- Internal Space Requirements:
- Horizontal: 9.0 mm minimum
  - Vertical: 7.5 mm minimum
  - Depth: 9.5 mm minimum

## COMPATIBLE WITH ALL KENSINGTON LOCKS



Isometric View



Side View

## LOCKS SPECIFICALLY DESIGNED FOR THE KENSINGTON SECURITY SLOT



MicroSaver®  
DS Ultra-Thin  
Laptop Lock



MicroSaver®  
Laptop Lock



ComboSaver®  
Combination  
Laptop Lock

Master access options are also available.

# CONTACT US

---

In addition to offering industry-leading security solutions, we also provide world-class customer service.

If you are interested in requesting more information including the use of Kensington logos and graphics, contact the Director of Global Business Development, **Rob Humphrey, at [rob.humphrey@kensington.com](mailto:rob.humphrey@kensington.com)**.

You can also visit our website at [www.Kensington.com/securityslot](http://www.Kensington.com/securityslot) where you can view and download everything you'd want to know about implementing one of our Kensington Security Slots into your latest device.

**Kensington®**

smart. safe. simple.™



Kensington, ComboSaver, MicroSaver and the ACCO name and design are registered trademarks of ACCO Brands. Cleat, MiniSaver, T-Bar and smart. safe. simple. are trademarks of ACCO Brands. All other registered and unregistered trademarks are the property of their respective owners. Patent pending. © 2014 Kensington Computer Products Group, a division of ACCO Brands. All rights reserved. K14\_2238